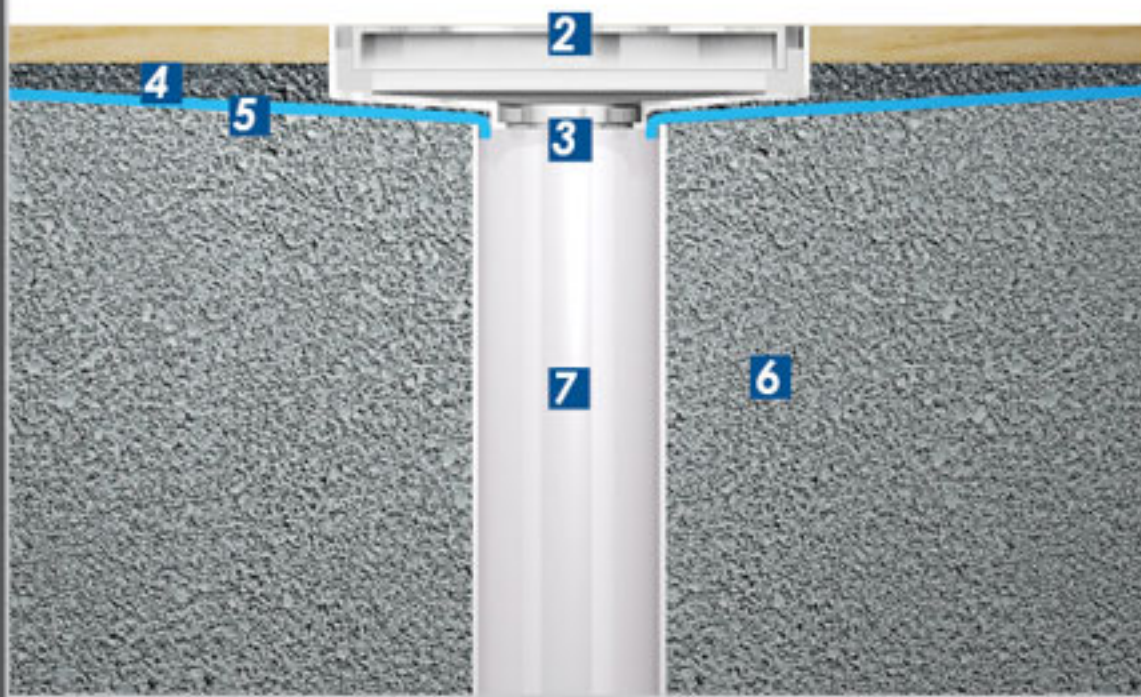




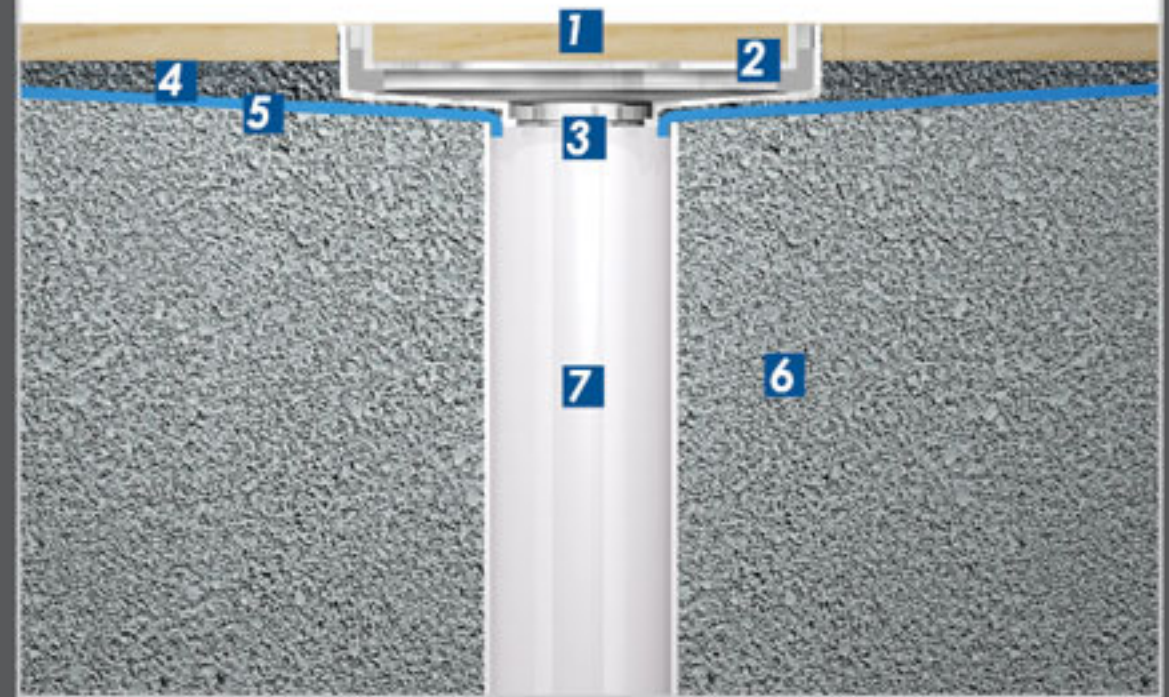
CROSS SECTION VIEW



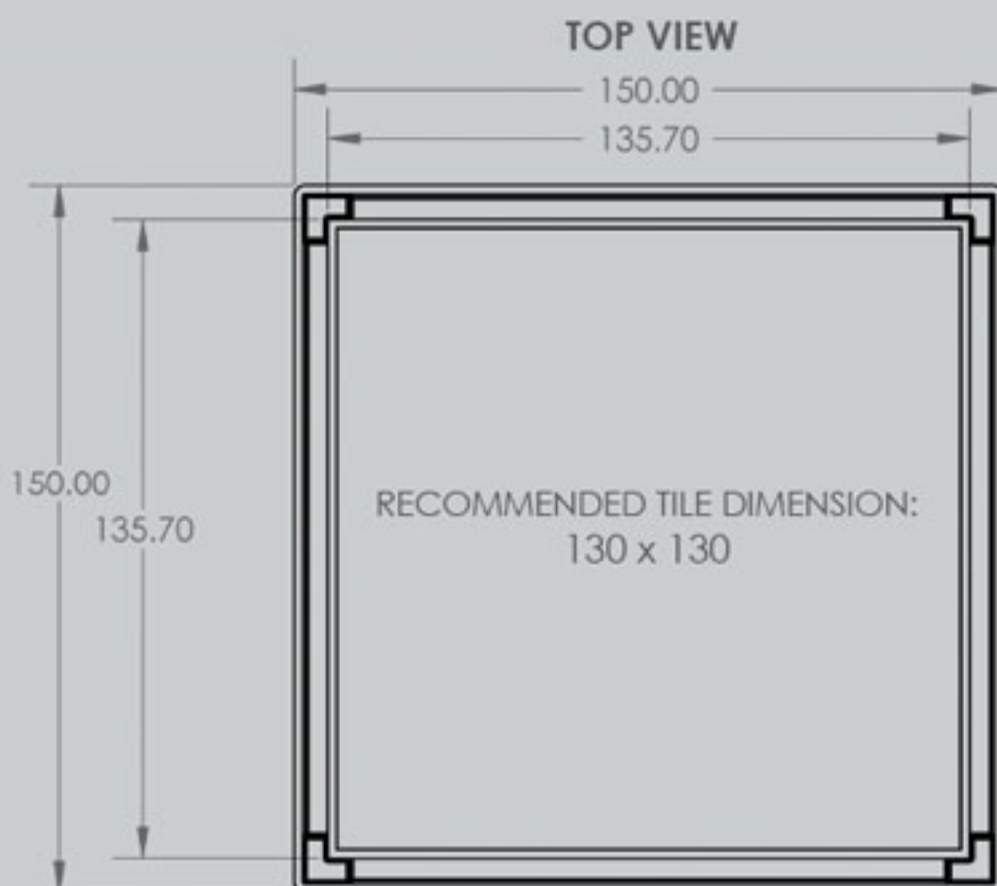
CROSS SECTION VIEW



- 2** tile insert (flipped)
- 3** waste body
- 4** screed (mortar bed)
- 5** membrane
- 6** concrete slab
- 7** pipe



- 1** tile
- 2** tile insert
- 3** waste body
- 4** screed (mortar bed)
- 5** membrane
- 6** concrete slab
- 7** pipe



UNLESS OTHERWISE STATED
ALL DIMENSIONS IN MILLIMETRES

