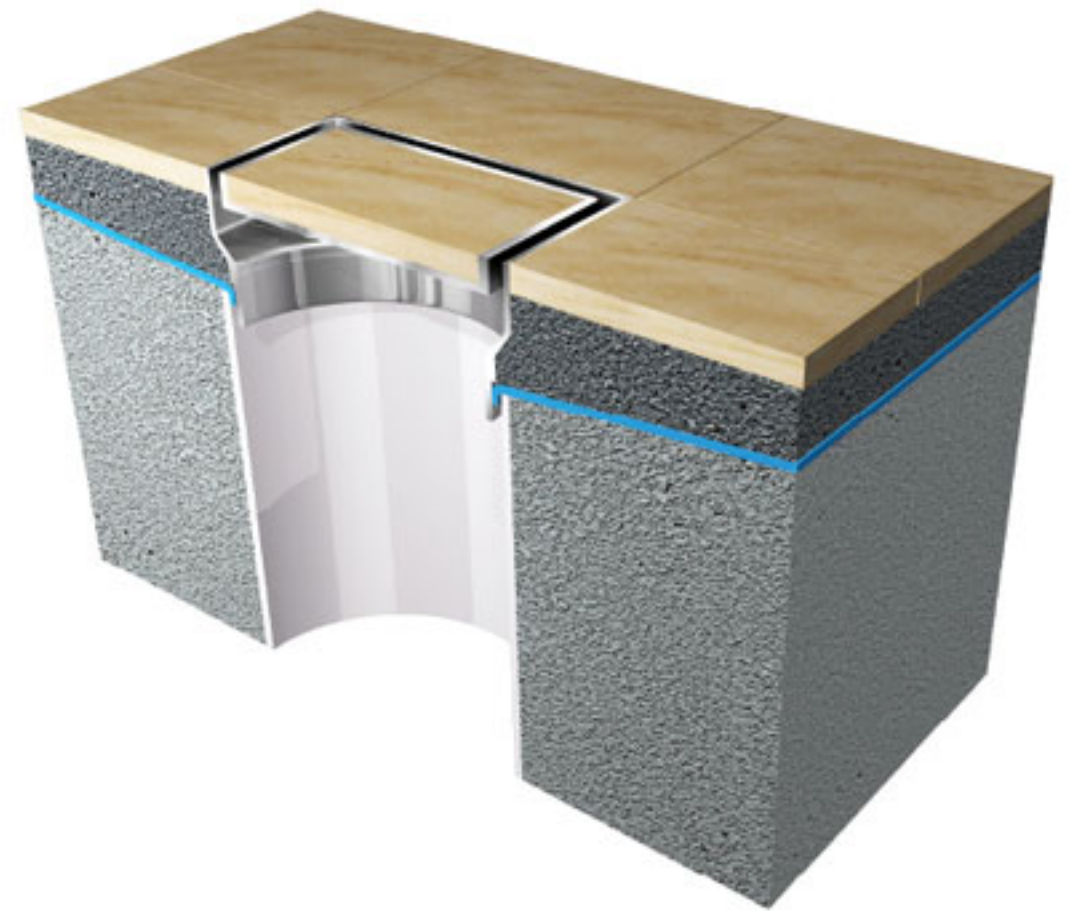
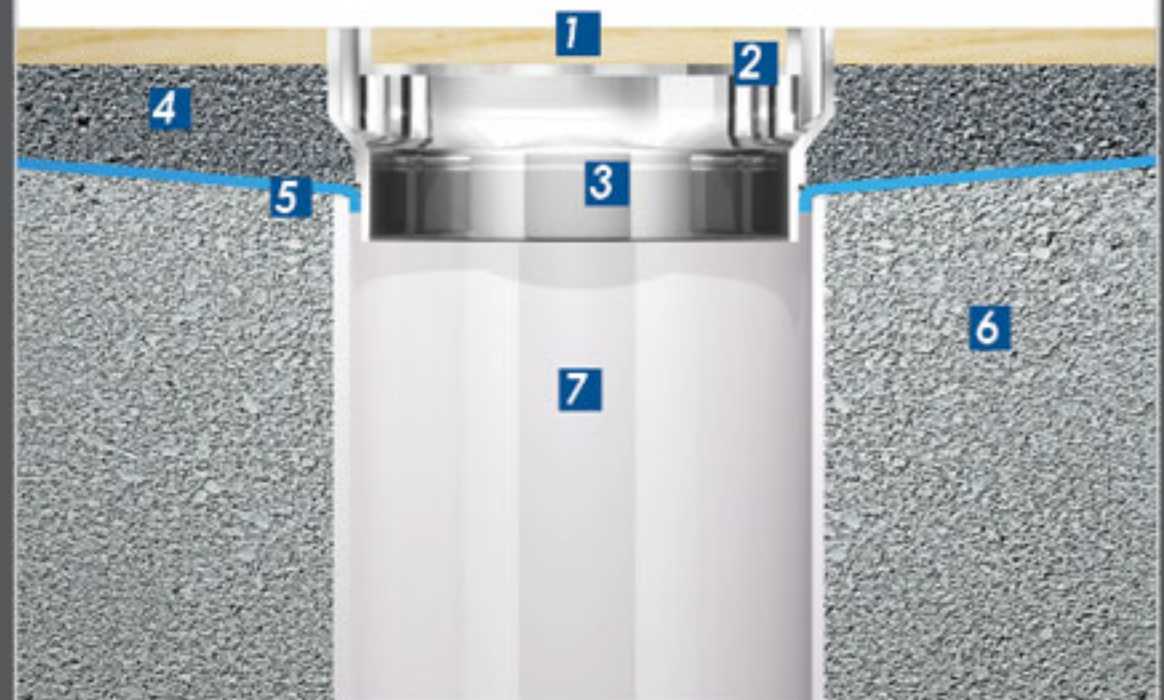


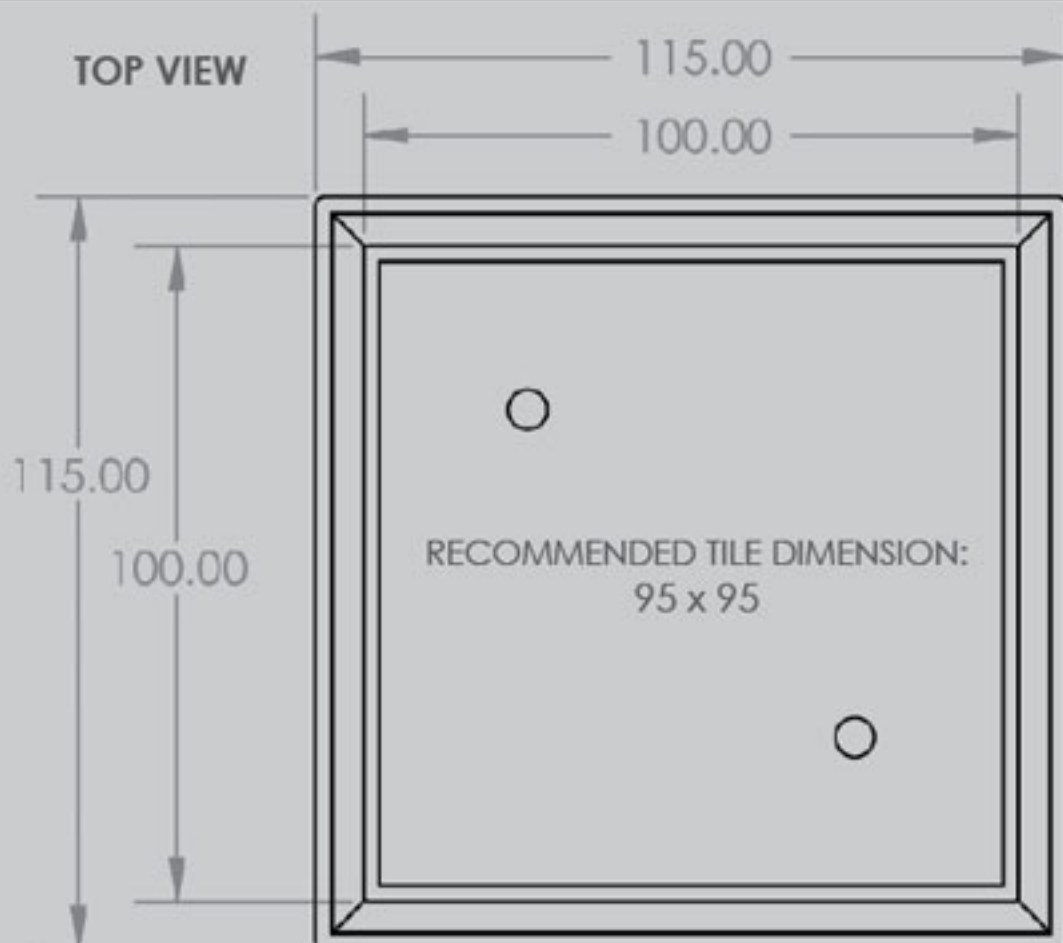
- 1** tile (not included)
- 2** tile insert
- 3** waste body



BERMUDA FLOOR GRATE  
CROSS SECTION VIEW



- 1** tile
- 4** screed (mortar bed)
- 7** pipe
- 2** tile insert
- 5** membrane
- 6** concrete slab
- 3** waste body



UNLESS OTHERWISE STATED  
ALL DIMENSIONS IN MILLIMETRES

