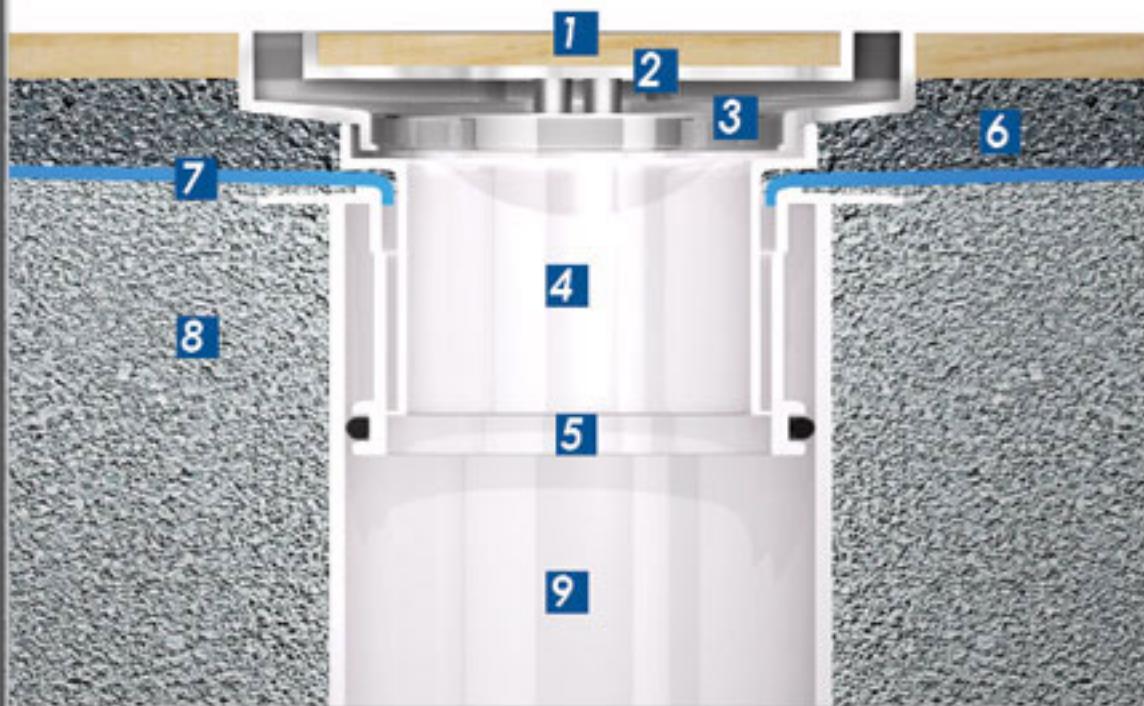




TRIANGLE BERMUDA MEGA FLOOR GRATE  
CROSS SECTION VIEW

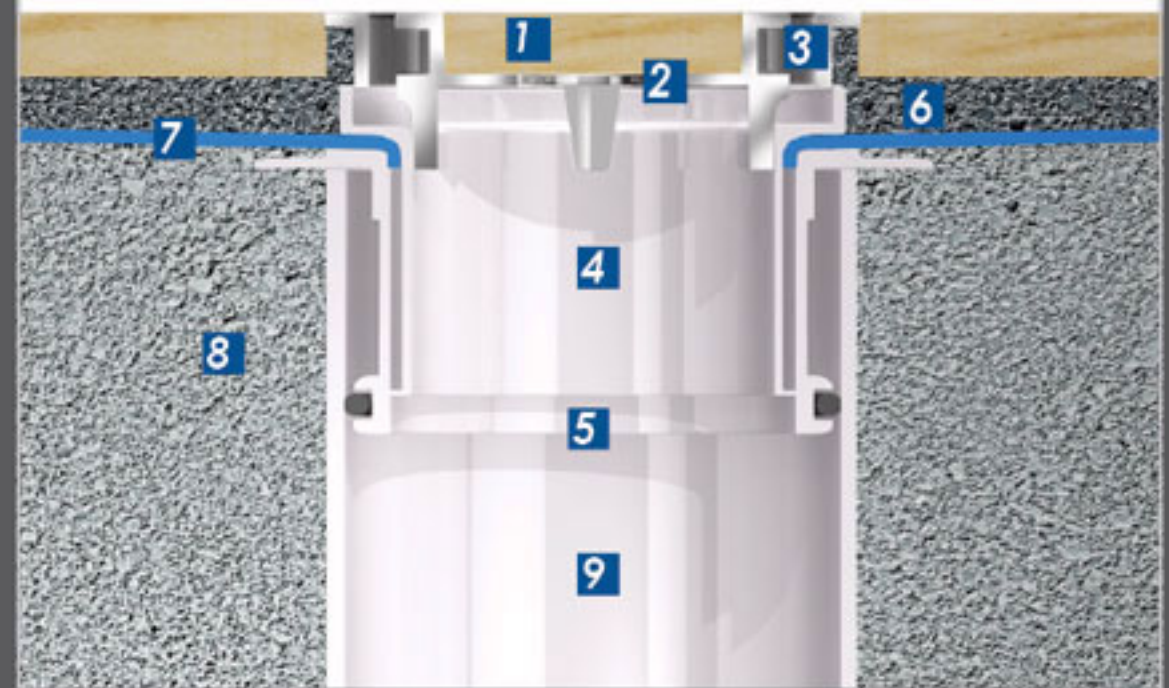


ROUND BERMUDA MEGA FLOOR GRATE  
CROSS SECTION VIEW



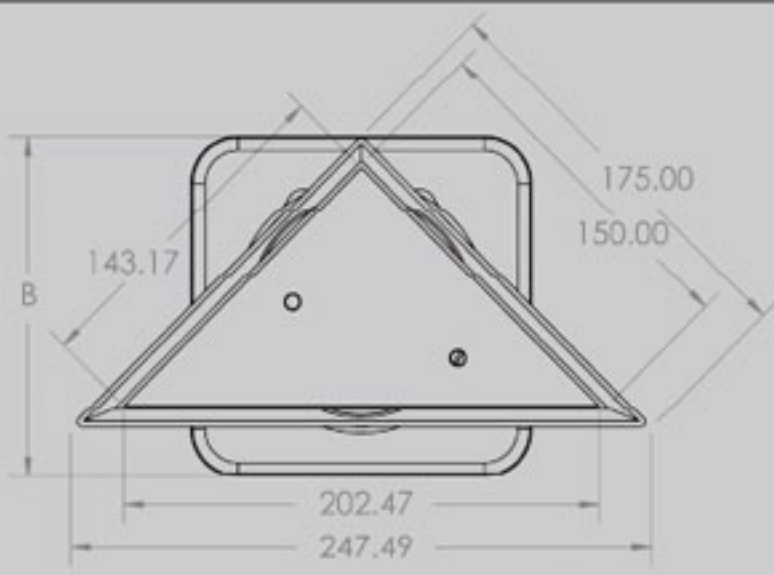
- 1** tile\*
- 2** tile insert
- 3** waste body
- 4** undercap
- 5** Megaflex base
- 6** screed (mortar bed)
- 7** membrane
- 8** concrete
- 9** pipe

\*tile not included



- 1** tile\*
- 2** tile insert
- 3** waste body
- 4** undercap
- 5** Megaflex base
- 6** screed (mortar bed)
- 7** membrane
- 8** concrete
- 9** pipe

\*tile not included



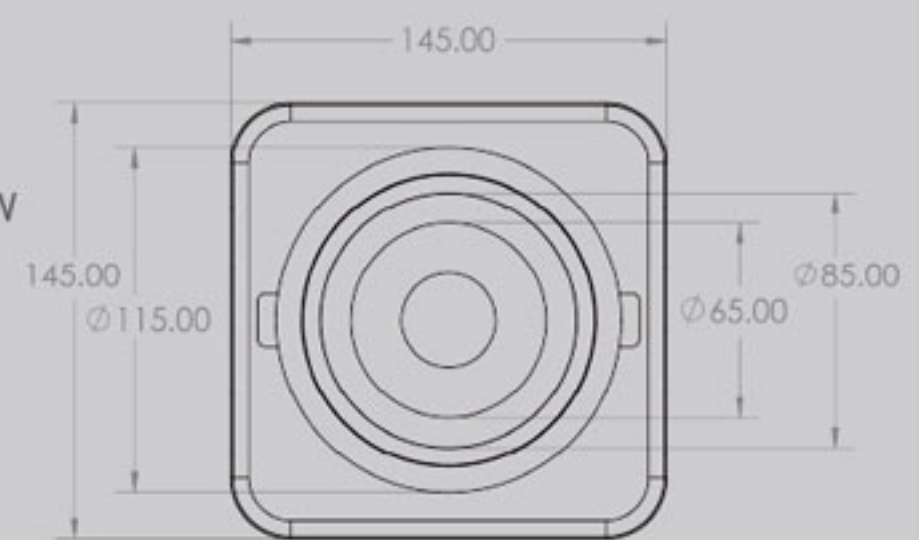
TOP VIEW



SIDE VIEW

	100mm TRIANGLE FLOOR WASTE	80mm TRIANGLE FLOOR WASTE
A	102.80	75
B	145	124
h	95.50	82
h1	35.50	33

UNLESS OTHERWISE STATED  
ALL DIMENSIONS IN MILLIMETRES



TOP VIEW



SIDE VIEW