

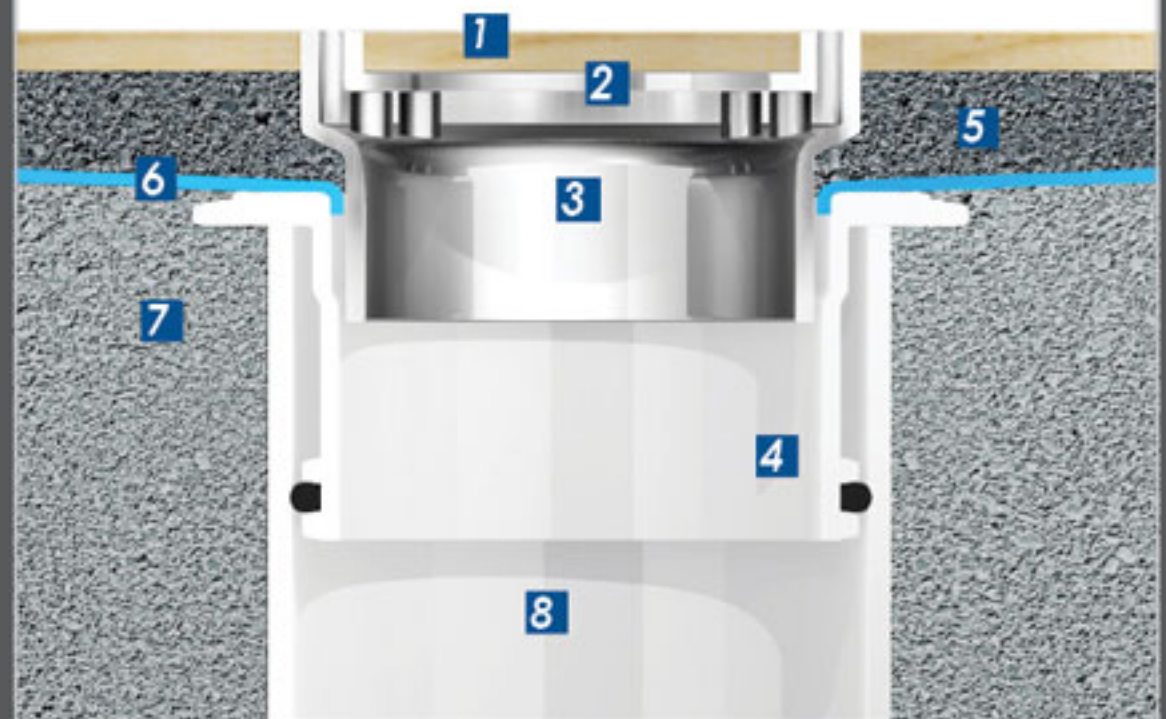


- 1** tile*
- 2** tile insert
- 3** waste body
- 4** Megaflex base

*tile not included



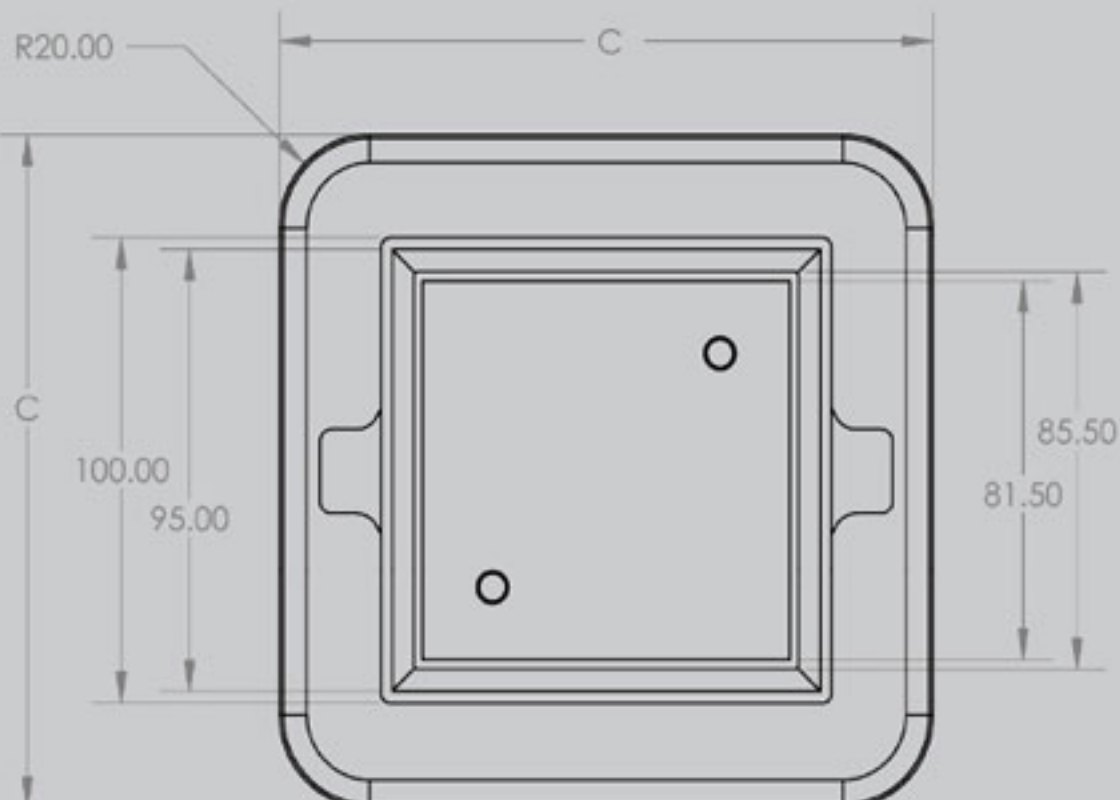
SQUARE BERMUDA MEGA FLOOR GRATE
CROSS SECTION VIEW



- 1** tile*
- 2** tile insert
- 3** waste body
- 4** Megaflex base
- 5** screed (mortar bed)
- 6** membrane
- 7** concrete
- 8** pipe

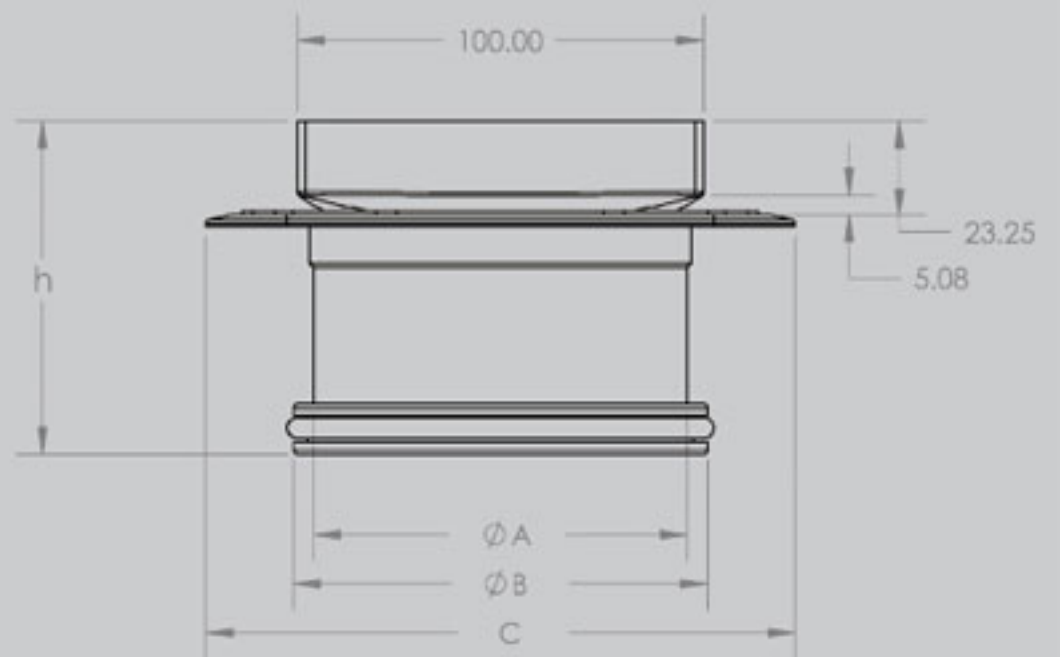
*tile not included

TOP VIEW



UNLESS OTHERWISE STATED
ALL DIMENSIONS IN MILLIMETRES

SIDE VIEW



	50mm FLOOR WASTE	80mm FLOOR WASTE	100mm FLOOR WASTE
A	48	69	92
B	50.80	75	102.80
C	110	124	145
h	60	71.60	82.25