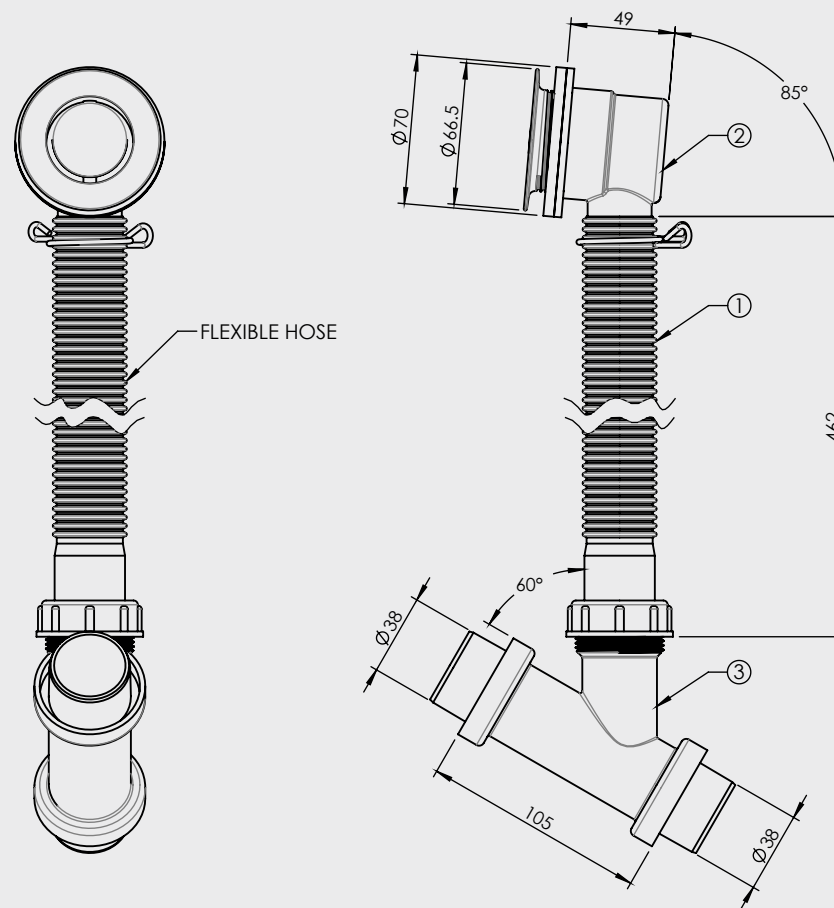


# POP DOWN<sup>®</sup> BATH OVERFLOW KIT CP

(For the 21831)

CODE	OUTLET SIZE	FINISH	CARTON QTY
21832.01	40mm	Chrome	10

ITEM	PART No.	DESCRIPTION	QTY.
1	100095	BATH POP DOWN OVERFLOW HOSE ASSEM	1
2	100090	BATH POP DOWN OVERFLOW	1
3	100283	ADD ON OVERFLOW JOINT1	



**21832**  
(TO BE USED WITH 21831 ONLY)